

DIGITAL EZ-AIR TIRE GAUGE

OPERATING INSTRUCTIONS

Adjust pressure, if necessary, in accordance with your vehicle owner's manual recommendations.

1. Remove tire valve cap.
2. Press ON button and wait for gauge to display 0.0.
3. With clip-on air chuck lever depressed, firmly press chuck onto tire valve stem and release lever. Gauge now reads tire pressure and the unit is ready to inflate the tire.
4. If the air chuck leaks, press lever to remove, rotate slightly and reinstall per instruction # 2.
5. Briefly press the compressor air chuck onto the air inlet of the gauge assembly to inflate tire.
NOTE: Tire gauge does NOT show actual tire pressure while inflating.
6. Remove compressor hose and read tire pressure.
7. If tire pressure is low, repeat step # 4.
8. If tire pressure is high, press pressure release button briefly to deflate tire.
NOTE: Tire gauge does NOT show actual tire pressure while deflating.
9. Press chuck lever to release air chuck and replace tire valve cap.
10. If gauge turns off while attached to tire disconnect air chuck from valve stem before turning gauge back on.

ONE YEAR LIMITED WARRANTY (U.S.A. and Canada)

G. H. Meiser & Co. warrants this tire gauge to the original purchaser. In case of defect or malfunction, G. H. Meiser & Co. will, at its option, repair or replace the tire gauge without charge. For service under this warranty, return the tire gauge to our factory, prepaid, together with \$2.50 for postage and handling.

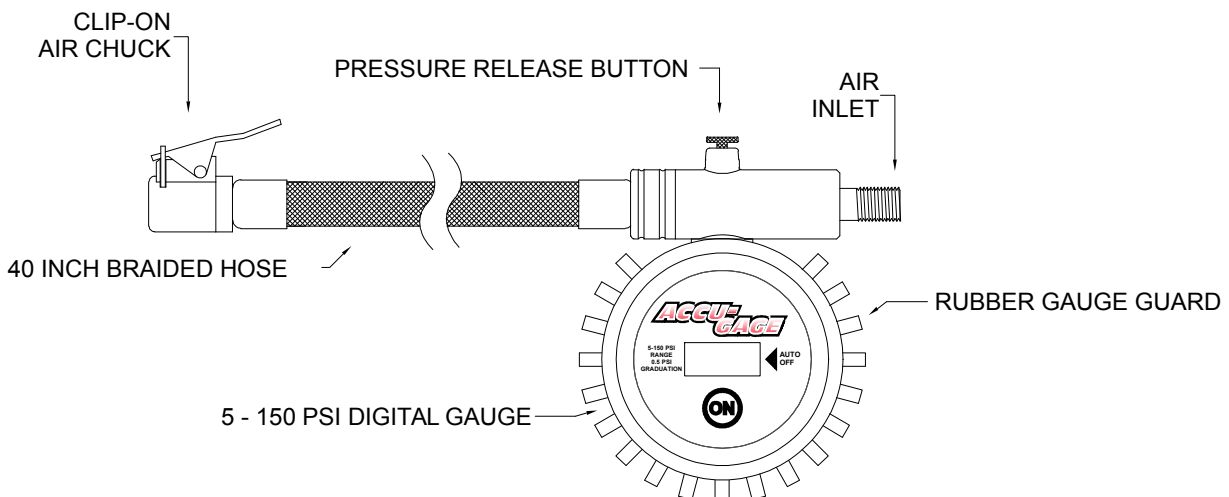
This warranty does not extend to any damage or malfunction resulting from misuse, neglect or accident. The remedies described above are the exclusive remedies under this warranty, and in no event shall G. H. Meiser & Co. be liable for consequential damages.

Components of this gauge are manufactured in the U.S.A. and China. The gauge is assembled and tested for accuracy in the U.S.A.

Caution: Do not exceed 150 PSI.

Warning: To avoid the possibility of eye injury, eye protection must be worn when using this gauge.

California Prop 65 required warning: This product and/or its packaging contain a chemical known to the State of California to cause cancer, birth defects or other reproductive harm. NOTE: Only California law requires that this warning be given to the consumer. Please see www.accu-gage.com for more information.



G. H. MEISER & CO.

P.O. Box 315 • 2407 West 140th Place

Posen, Illinois U.S.A. 60469 • www.accu-gage.com

Copyright ©2007 all rights reserved.

Accu-Gage® is a registered trademark of G. H. Meiser & Co.

Distributed by Gage Distributing Co. www.getagauge.com